

LED 50W 3000K PFE-50 Cree XLamp (CXA1830)

Art.-Nr.: E6508842

GTIN: 4026397581195



Dimensions are in mm.

Tolerances unless otherwise

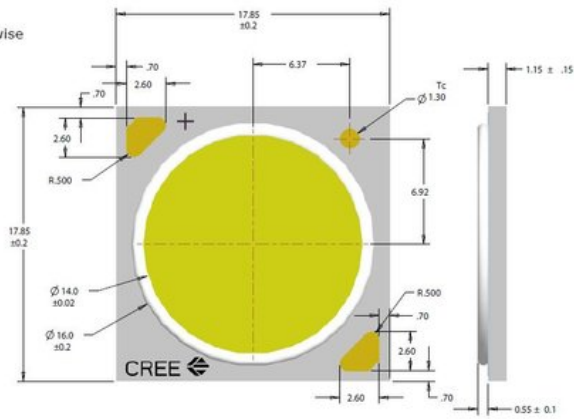
specified:

.X ± .10

.XX ± .03

.XXX ± .010

X° ± 1°



Listenpreis: 45.11 €

inkl. 19% MwSt.

Features:

Logistic

EAN / GTIN: 4026397581195

Technische Daten: