

MAN062.00

Lavoce

6.5" MIDRANGE

NEODYMIUM MAGNET
ALUMINIUM BASKET DRIVER



- 2 INCH CCAW VOICE COIL
- 98 dB/SPL SENSITIVITY
- 500 WATT PROGRAM POWER HANDLING
- FEM OPTIMIZED MOTOR AND SUSPENSIONS
- OPTIMIZED COOLING SYSTEM
- RESONANCE FREE AND HEAVY DUTY BASKET DESIGN

GENERAL SPECIFICATIONS

Nominal diameter	mm (in.)	165 (6.5)
Nominal impedance	Ω	8
Minimum impedance	Ω	6,7
Program power (1)	W	500
AES Power rating (2)	W	250
Sensitivity (3)	dB	98
Frequency range	Hz	100 ÷ 4000
Voice coil diameter	mm (in.)	51 (2)
Chassis material	Aluminium	
Magnet material	Neodymium	
Magnet dimensions OD x ID x h	mm (in.)	50 x 9 + 48 x 5 (1.97 x 0.35 + 1.89 x 0.2)
Coil material	CCA W	
Former material	Glass Fiber	
Cone material	Water Proof Treated Paper	
Surround material	Polycotton	
Xmax (4)	mm (in.)	3,9 (0.15)
Xmech (5)	mm (in.)	6,4 (0.25)
Gap height	mm (in.)	6 (0.24)
Voice coil winding height	mm (in.)	10,8 (0.43)
Driver displacement volume	l (ft ³)	0,423 (0.015)

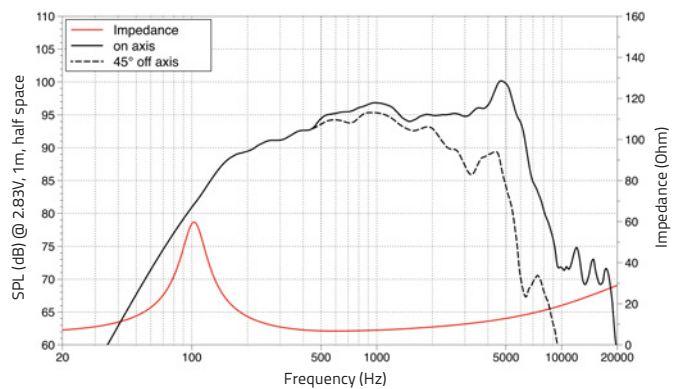
SMALL SIGNAL PARAMETERS

DC resistance	Re	Ohm	5,7
Resonance frequency	Fs	Hz	105
Moving mass	Mms	g (oz)	14,4 (0,51)
Compliance	Cms	mm/N	0,16
Force factor	BxL	N/A	12,8
Mechanical Q-factor	Qms		3,12
Electrical Q-factor	Qes		0,33
Total Q-factor	Qts		0,3
Equivalent air volume	Vas	l (ft ³)	3,7 (0.13)
Voice coil Inductance	Le	mH	0,32
Diaphragm area	Sd	cm ² (in. ²)	129 (19.95)
Reference efficiency	Eta 0	%	1,26

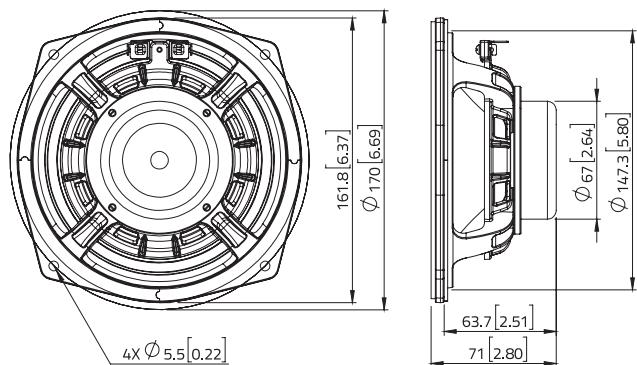
SHIPPING INFORMATION

Net weight	kg (lb.)	0,9 (2.03)
Multipack size (8)	mm (in.)	374 x 374 x 191 (14.7 x 13.6 x 7.5)
Multipack weight	kg (lb.)	11 (24.3)

FREQUENCY RESPONSE



DIMENSIONS mm (in.)



(1) Program power is defined as 3 dB greater than AES Power. (2) Tested for two hours using a continuous, band-limited pink noise signal as per AES 2-1984 Rev. 2003. Loudspeaker tested in free air. (3) From T/S parameters, measured with Klippel DA LPM module. (4) The Xmax is calculated as: $(Hvc - Hg)/2 + Hg/4$. Hvc is the voice coil height and Hg the gap height. (5) The Xmech is calculated as: $(Hvc - Hg)/2 + (Hg - 2)$. Hvc is the voice coil height and Hg the gap height. (6) Thiele-Small parameters are measured after preconditioning: a) at 20°C - 22°C, 50% humidity for 2 hours; b) by Klippel LSI measurement.

All specifications subject to change without notice_C.a

