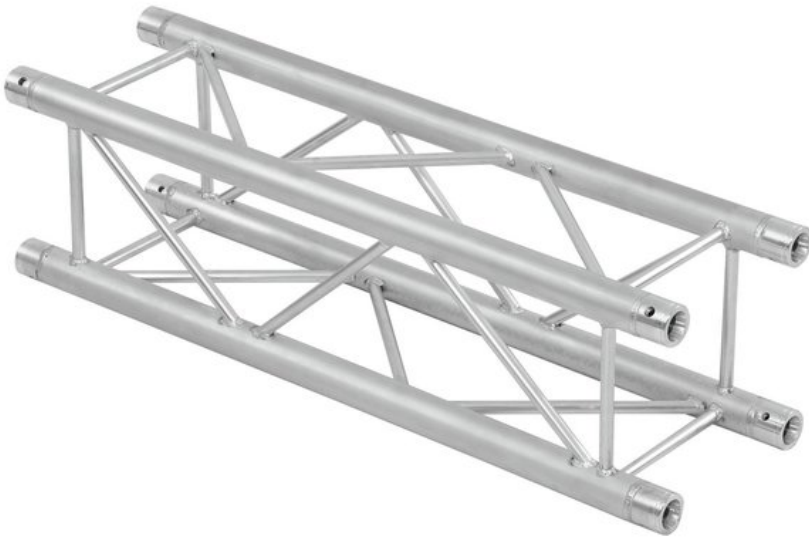


ALUTRUSS Completion set QUADLOCK 6082 2500mm

4-point truss system

Art. No.: 09003509

GTIN:



The article is no longer in our assortment.

Features:

- Strong EN-AW 6082 alloy for high loads
- High-quality aluminum-tubes with 50 mm in diameter
- Low weight
- Distance center - center: 240 mm
- Easy installation
- Trusspipe: 50 mm
- TÜV Süd certified
- For application areas such as: Theater; Trade fair and shop fitting; Clubs/dancing school
- For further information about this product, please refer to the Data Sheet under "Downloads"

Package contents

- 1 x connection Set

Logistic

Technical specifications:

Weight: 47,40 kg

ALUTRUSS QUADLOCK 6082-2500 4-Way Cross Beam

Setup: Easy installation

Trusspipe: 50 mm x 2 mm

Welding technique:	TIG-welding
Welding material:	AlMg 5
Alloy:	AlMgSi1 T6
Color:	Alu colored
Strut diameter x thickness:	16 x 2mm
Dimensions:	Length: 2,5 m Width: 29 cm Height: 29 cm
Weight:	11,85 kg