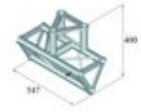
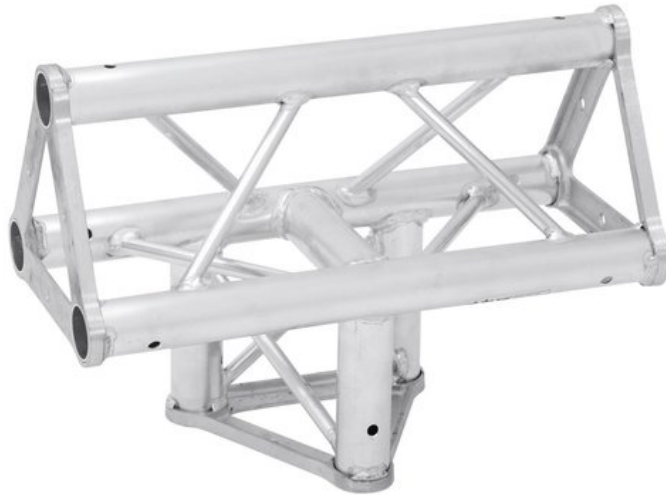


## ALUTRUSS TRISYSTEM PAT-38 T-pc 3-way vert.

High-quality truss system

Art. No.: 60205422

GTIN: 4026397559095



**The article is no longer in our assortment.**

### Features:

- Extreme stability
  - Easy installation
  - Low weight
  - For exhibition and shop installers, discotheque and theatre installations
  - 2 x Connection set included
  - Trusspipe: 50 mm
- Package contents**
- 2 x connection Set

### Logistic

EAN / GTIN: 4026397559095

Weight: 5,95 kg

Length: 0.57 m

Width: 0.42 m

Height: 0.41 m

### Technical specifications:

Trusspipe: 50 mm x 2 mm

Color: Alu colored

Strut diameter x thickness: 16 x 2mm

Weight: 5,3 kg