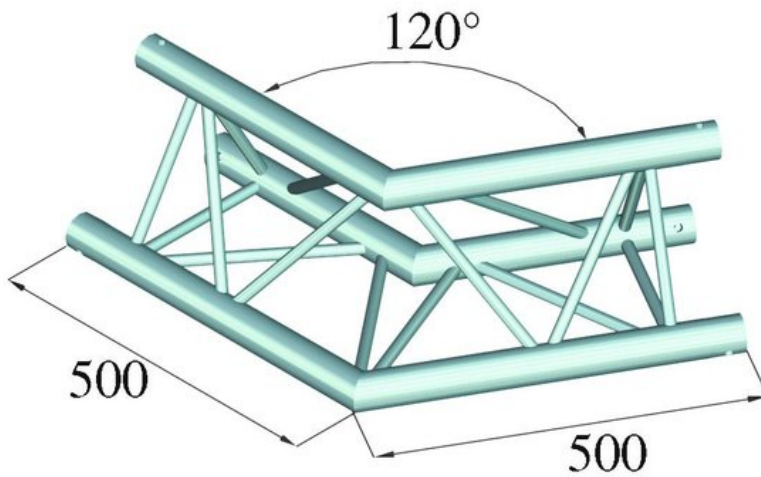


ALUTRUSS TRILOCK QPAC-22 2-way corner 120°

3-point truss system

Art. No.: 60301867

GTIN: 4026397120158



The article is no longer in our assortment.

Features:

- High-quality aluminum-tubes with 50 mm in diameter
- Easy installation
- Low weight
- For exhibition and shop installers, discotheque and theatre installations

Logistic

EAN / GTIN: 4026397120158

Technical specifications:

Main chords:	50 x 2 mm
Alloy:	AlMgSi 0.5
Welding material:	AlMg 5
Welding technique:	TIG-welding