

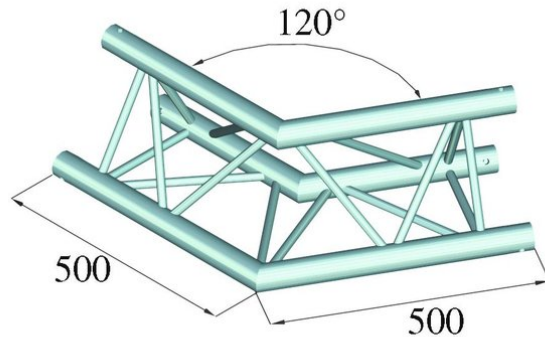
alutruss

TRILOCK QPAC-22 2-way corner 120°

3-point truss system

Art. No.: 60301867

GTIN: 4026397120158



The article is no longer in our assortment.

alutruss

TRILOCK QPAC-22 2-way corner 120°

3-point truss system

Art. No.: 60301867

GTIN: 4026397120158

Features:

- High-quality aluminum-tubes with 50 mm in diameter
- Easy installation
- Low weight
- For exhibition and shop installers, discotheque and theatre installations