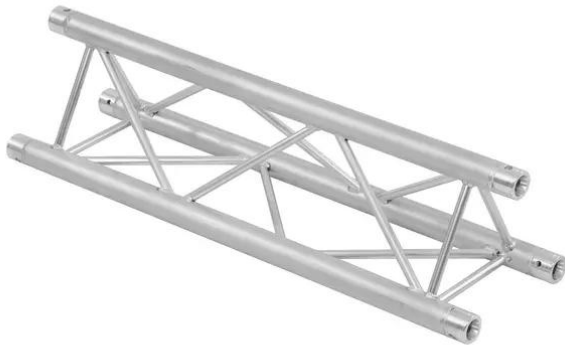


TRILOCK 6082-210 3-way Cross Beam

3-point truss system

Art. No.: 60302350

GTIN: 4026397323801



TRILOCK 6082-210 3-way Cross Beam

3-point truss system

Art. No.: 60302350

GTIN: 4026397323801

Features:

- Low weight
- Easy installation
- Trusspipe: 50 mm
- TÜV Süd certified
- For application areas such as: Theater; Trade fair and shop fitting; clubs/dancing school
- For further information about this product, please refer to the Data Sheet under "Downloads"