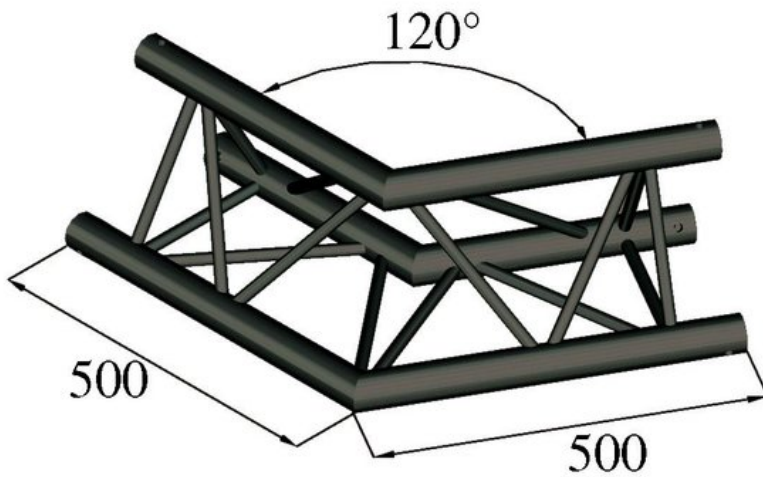


## ALUTRUSS TRILOCK S-PAC 22 2-Way Corner 120°black

3-point truss system

Art. No.: 6030253J

GTIN: 4026397559705



**List price: 255.85 €**

incl. 19% VAT.

### Features:

- Low weight
- Easy installation
- Trusspipe: 50 mm
- Made in Europe
- For application areas such as: Theater; Trade fair and shop fitting; Clubs/dancing school

### Logistic

EAN / GTIN: 4026397559705

Weight: 4,50 kg

Length: 0.74 m

Width: 0.53 m

Height: 0.28 m

### Technical specifications:

Setup: Easy installation

Trusspipe: 50 mm x 2 mm

Color: Black

Strut diameter x thickness: 16 x 2mm

Dimensions: Length: 50 cm  
Width: 50 cm  
Height: 25,70 cm

Weight: 4,3 kg