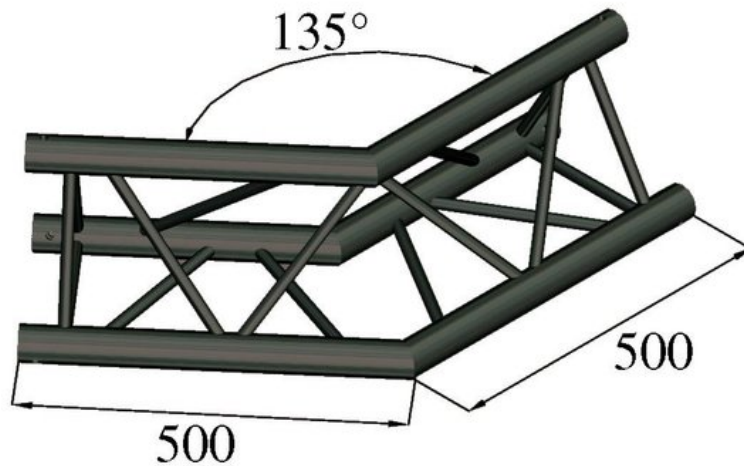


ALUTRUSS TRILOCK S-PAC 23 2-Way Corner 135°black

3-point truss system

Art. No.: 6030253K

GTIN: 4026397559699



List price: 255.85 €

incl. 19% VAT.

Features:

- Low weight
- Easy installation
- Trusspipe: 50 mm
- Made in Europe
- For application areas such as: Theater; Trade fair and shop fitting; Clubs/dancing school

Logistic

EAN / GTIN: 4026397559699

Weight: 5,10 kg

Length: 0.87 m

Width: 0.47 m

Height: 0.27 m

Technical specifications:

Setup: Easy installation

Trusspipe: 50 mm x 2 mm

Color: Black

Strut diameter x thickness: 16 x 2mm

Dimensions:
Length: 50 cm
Width: 50 cm
Height: 25,70 cm

Weight: 4,40 kg