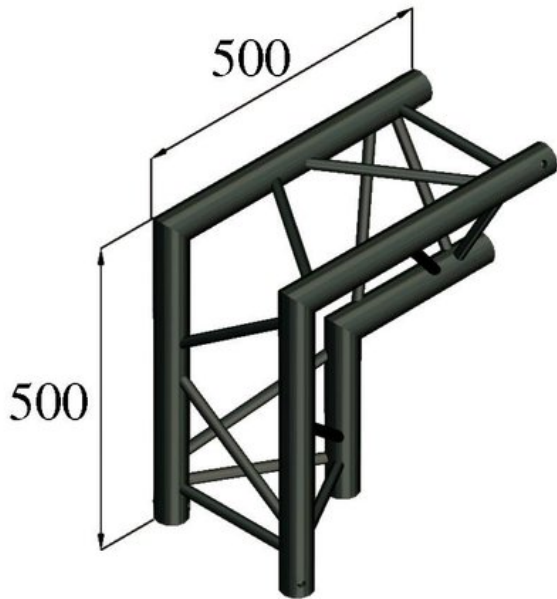


## ALUTRUSS TRILOCK S-PAC 25 2-Way-Corner 90°V black

3-point truss system

Art. No.: 6030253M

GTIN: 4026397501193



**List price: 279.65 €**

incl. 19% VAT.

### Features:

- Low weight
- Easy installation
- Trusspipe: 50 mm
- Made in Europe
- For application areas such as: Theater; Trade fair and shop fitting; Clubs/dancing school

### Logistic

EAN / GTIN: 4026397501193  
Weight: 4,60 kg  
Length: 0.51 m  
Width: 0.51 m  
Height: 0.30 m

### Technical specifications:

Setup:	Easy installation
Trusspipe:	50 mm x 2 mm
Color:	Black
Strut diameter x thickness:	16 x 2mm
Dimensions:	Length: 50 cm Width: 50 cm Height: 29 cm
Weight:	4,45 kg