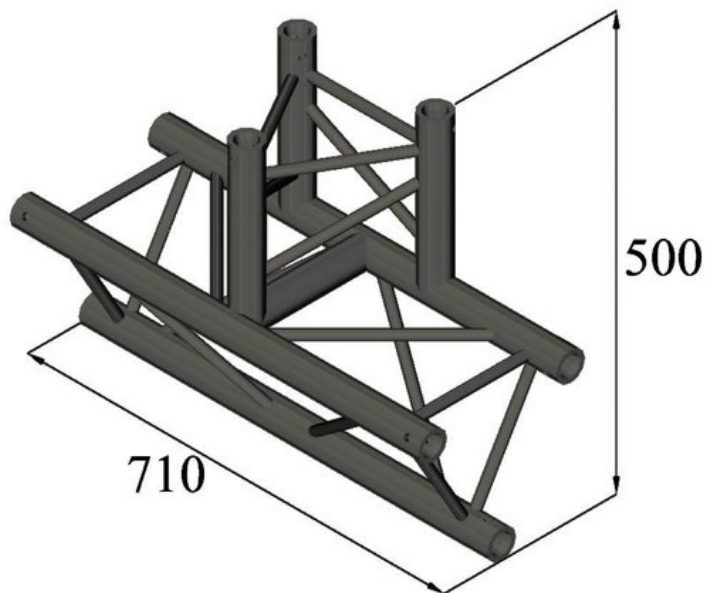


ALUTRUSS TRILOCK S-PAT-38 3-Way T-Piece

3-point truss system

Art. No.: 6030253W

GTIN: 4026397559569



List price: 355.81 €

incl. 19% VAT.

Features:

- Low weight
- Easy installation
- Trusspipe: 50 mm
- Made in Europe
- For application areas such as: Theater; Trade fair and shop fitting; Clubs/dancing school

Logistic

EAN / GTIN: 4026397559569

Weight: 6,30 kg

Length: 0.71 m

Width: 0.44 m

Height: 0.38 m

Technical specifications:

Setup:	Easy installation
Trusspipe:	50 mm x 2 mm
Color:	Black
Strut diameter x thickness:	16 x 2mm
Dimensions:	Length: 71 cm Width: 50 cm Height: 25,70 cm
Weight:	6 kg