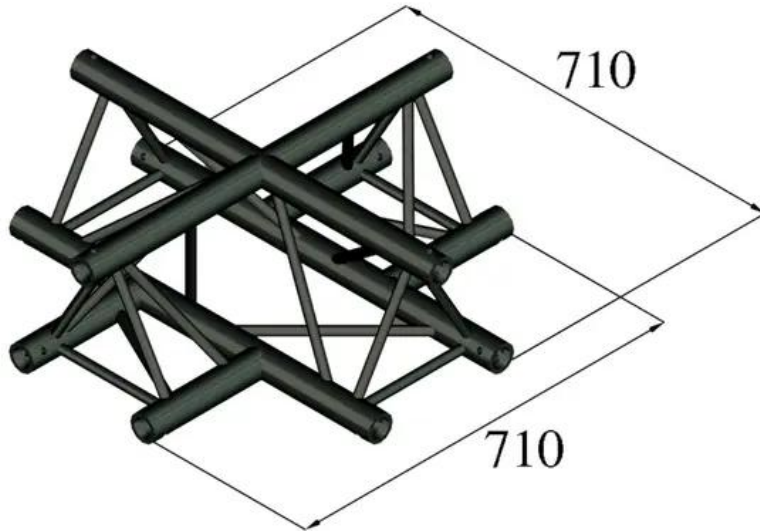


ALUTRUSS TRILOCK S-PAC-41 4-way Cross

3-point truss system

Art. No.: 6030253Y

GTIN: 4026397501261



Features:

- Low weight
- Easy installation
- Trusspipe: 50 mm
- Made in Europe
- For application areas such as: Theater; Trade fair and shop fitting; clubs/dancing school

Logistic

EAN / GTIN: 4026397501261

Weight: 0,85 kg

Length: 0.72 m

Width: 0.72 m

Height: 0.26 m

Technical specifications:

| | |
|-----------------------------|---------------------------------------------------|
| Setup: | Easy installation |
| Trusspipe: | 50 mm x 2 mm |
| Color: | Black |
| Strut diameter x thickness: | 16 x 2mm |
| Dimensions: | Length: 71 cm Width: 71 cm Height: 25.70 cm |
| Weight: | 0.75 kg |

Scope of delivery: