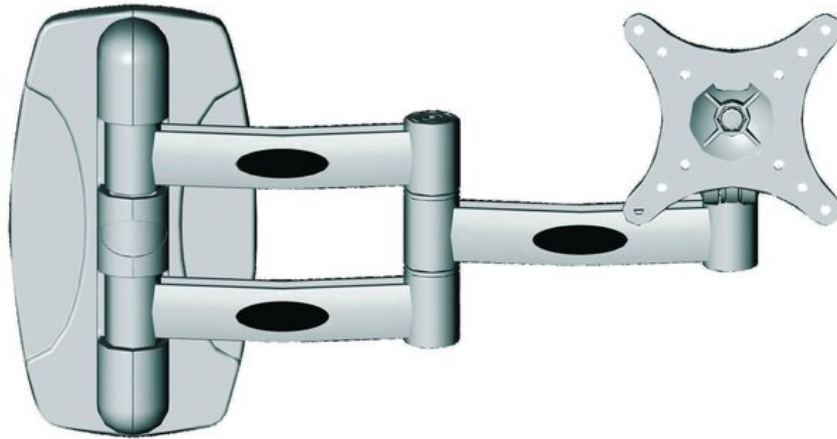


## EUROLITE Wall mount LCHS-32 f.10"-32" LCD monitors

Universal wall mount for LCD/plasma monitors

Art. No.: 81012445

GTIN: 4026397295542



**The article is no longer in our assortment.**

### Features:

- Universal LCD mount for screen sizes between 10-32"
- Universal use for all screens according to VESA standard
- Installation holes according to VESA standard: 50/75/100 mm
- Including adapter plate for VESA standard 200
- Easy wall mounting
- Swivel angle and inclination angle steplessly adjustable
- Including mounting hardware
- Including distance pieces for screens with convex backs
- Covered cable routing inside the plastic covers possible
- UL-certified

### Logistic

EAN / GTIN: 4026397295542

Weight: 2,95 kg

Length: 0.37 m

Width: 0.23 m

Height: 0.07 m

### Technical specifications:

Dimensions: Width: 29,2 cm  
Depth: 41 cm  
Height: 10 cm

Carrying capacity: 25 kg

Interface dimensios: 100 x 100 mm

Distance to wall: 140-410 mm

Dimensions: 410 x 292 x 110 mm

Weight: 2.5 kg