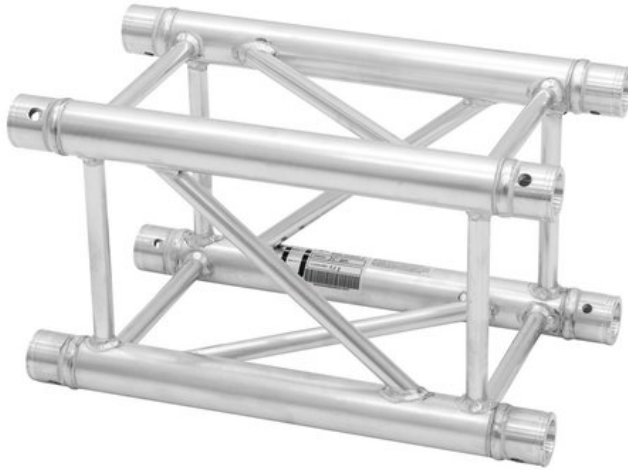


ALUTRUSS Traverse 4 voies TQTR-500 TOWERTRUSS

Tour à traverses 4 points

Réf. : 60304400

GTIN: 4026397199727



Prix de catalogue: 284.41 €

TVA 19% incl.

Description:

TOWERTRUSS TQTR 4-point truss system

TOWERTRUSS TQTR is a 4-point truss system made of aluminum. The individual elements are connected via four cones, pivots and pins. TOWERTRUSS TQTR is made of EN-AW 6082 T6 (AlMgSi1 T6) alloy with 20 mm braces for high loads.

The advantage of the conical connection system is that the cones completely fit into the main chords so that highest load capacity is guaranteed. The Quick-Lock system enables fast, efficient and highly aesthetic assembly when the truss constructions are frequently assembled and dismantled.

The four main chords are made of 50 mm aluminum tube with 4 mm wall thickness and offer a good relation between strength and weight. The braces have a diameter of 20 mm with 2 mm wall thickness and leave enough space for installing couplers, hooks and clamps.

With 290 mm outer dimensions, TOWERTRUSS TQTR is a stable truss system for high loads and extended durability. This system is mainly designed for building the Tower System I and II and for intense use in stage installations, fair installations, event installations.

The production of this truss system is TUV-monitored. The load table as calculation base can be downloaded from the Internet before buying the product!

Please note: this truss system must never be combined with other systems!

Logistique

EAN / GTIN: 4026397199727

Poids: 6,50 kg

Longueur: 0.52 m

Largeur: 0.31 m

Hauteur: 0.31 m

Caractéristiques:

- Pour la construction de Ground Supports
- Assemblage simple
- Tube porteur: 50 mm
- Certifié TÜV Süd
- Vous trouverez de plus amples informations sur ce produit dans la rubrique « Téléchargements » de la fiche technique

L'étendue des fournitures

- 1 x set de connecteurs

Données techniques:

Construction:	Assemblage simple
Tube porteur:	50 mm x 4 mm
Procédé de soudure:	Impulsion WIG
Matière de soudure:	AlMg 5
Matériau du tube:	AlMgSi 0,5
Couleur:	Couleurs alu
Dimension:	Longueur : 50 cm Largeur : 29 cm Profondeur : 29 cm
Poids:	5,90 kg