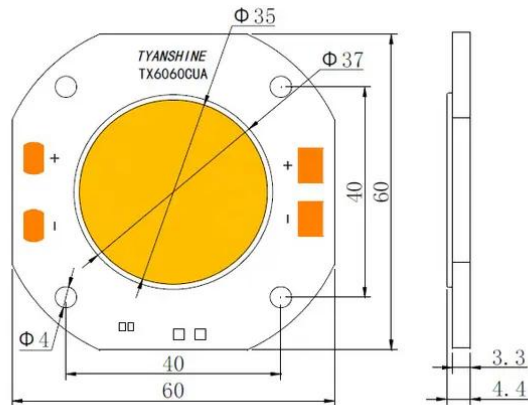


---

# LED COB 250W 3000K LED PFE-250 3000K Profile Spot (TX-6060W250D180CUY)

Art.n.: E6510308  
GTIN: 4026397654943



---

# LED COB 250W 3000K LED PFE-250 3000K Profile Spot (TX-6060W250D180CUY)

Art.n.: E6510308  
GTIN: 4026397654943

## Features :

---